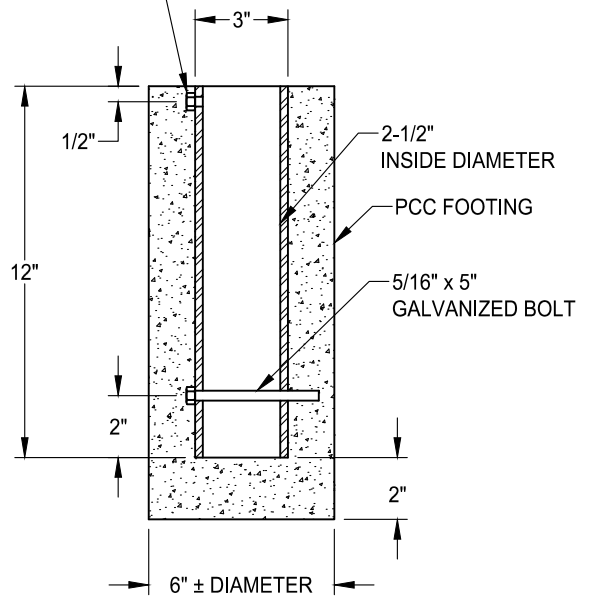


5/16" x 1" GALVANIZED BOLT
TO FACE THE STREET



BOLLARD FOUNDATION DETAIL
NOT TO SCALE

NOTE:

1. INSTALL GALVANIZED STEEL BOLLARD AS NEEDED PER ENGINEER'S DIRECTION OR AS SPECIFIED ON THE PLANS.

DATE: 09/22/2017		NOT TO SCALE	
REVISION	BY	APPROVED	DATE

CITY OF ELK GROVE - PUBLIC WORKS

APPROVED BY:

Paul Murock

10/24/2018

CITY ENGINEER

DATE

BOLLARD DETAIL



DRAWING NUMBER

T - 2A